



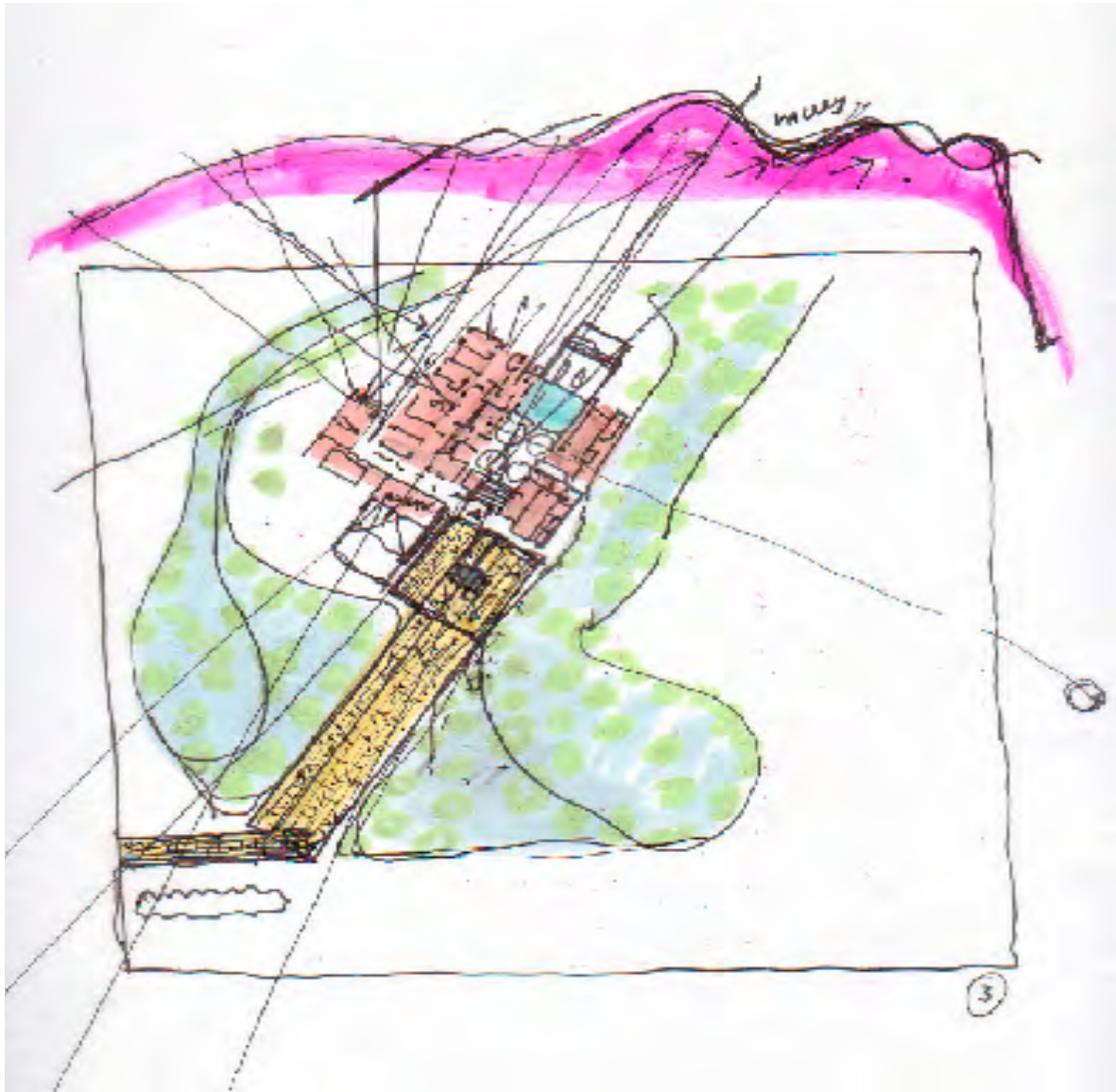
FREEDOM TO CREATE

# STONE COURT VILLA

PARADISE VALLEY, ARIZONA

MARCH 2016  
BROMBAL MAG #01

# IDEA PROJECT REALIZATION



A ten acre desert site that contains two desert washes. Wonderful vistas to both nearby desert mountains and distant peaks. Compromised views to the immediate surrounding neighborhood. Walls are introduced slowly, repetitively....Snake like, moving in and out of the living spaces, blurring boundaries...Containing space, life, courts, water, trees, laughter, thoughts and shadows.

Walls of stacked thick mexican stone, inside and out. Slowly a pattern emerges, shifts and then unwinds. Repetitive, Even – here elongated, there extended, here compressed, subtle variety.

The slicing of stone, the splash of water, the capture of light...the walls exclude what is weak and undesired so that what is vibrant and alive can flourish in peace.

Marwan Al-Sayed Inc.  
Architecture + Design





## FOUR ELEMENTS AND QUINTESSENCE : A UNIQUE PROJECT

### FIRE

Represented by warm colors typical of the Arizona landscape. It is an excellent choice for the location of this masterpiece.

### WATER

Symbolized by the pools: the interior is the heart of the structure and the exterior is the frame work.

### LAND

An area immense and vast, is the context in which this villa is located

A project designed by the architect Marwan Al - Sayed.

### AIR

Re-created by the large OS2 windows. Vast amounts of light are designed to enter and illuminate at any time of day, while providing unobstructed views of the surrounding landscape.

### QUITESSENCE

The Brombal windows combine the harmonic fusion of the four natural elements showing passion, craftsmanship and professionalism throughout.





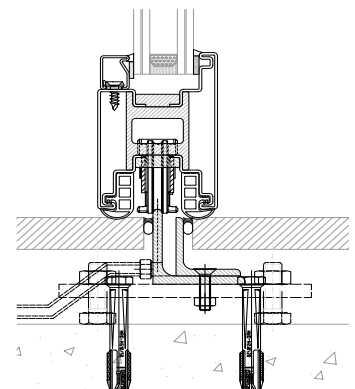
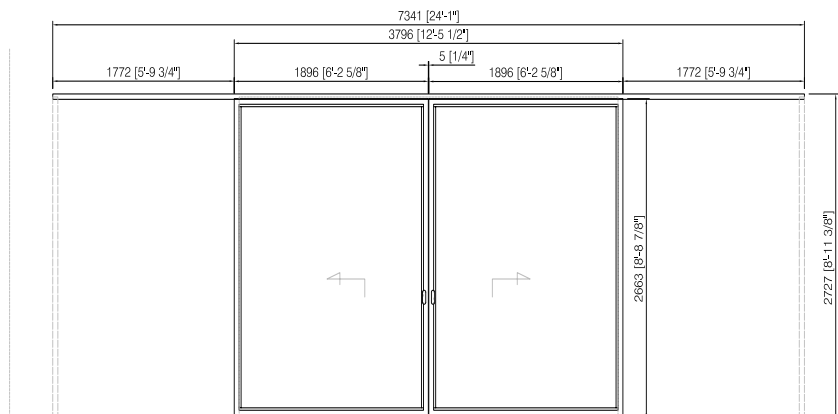
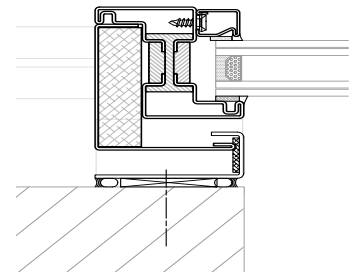


## LIFT & SLIDE DOORS

A unique sill and frame were designed to fit the architects request to have the Lift / Slide panels slide over the exterior wall conserving space while allowing complete openness to the outdoors. The main challenge was integrating the frame to allow the panels to pass behind the wall while still engineering the system so weatherproofing and smooth functionality became one in the same.

The end result... doors that operate and perform beautifully.

This is what our clients have come to expect from Brombal. It's our pleasure to provide architects this kind of creative freedom.



"I had the pleasure of visiting the Brombal factory while in Italy working on a line of furniture with B&B ITALIA. Like B&B ITALIA, and so many other design and product companies in Italy, Brombal is a family run operation that has been part of a community and production culture that still runs strong in this part of the world. This personal attention to detail, the culture of collaboration and innovation, the level of design culture and technology and the warmth and personal involvement of the owners contributes to an atmosphere ripe for creativity and problem solving that is rare with other companies in similar industries. The level of Italian design, as exemplified by the Brombal line, and others in the fields of furniture, fashion or automotive design, is unique in the world and provides a level of confidence and quality that is unrivaled."

Marwan Al-Sayed



PROJECT TEAM

ARCHITECT:

Marwan Al-Sayed  
8764 Holloway Drive  
West Hollywood, CA 90069  
phone: 424-355-0013  
www.masastudio.com

INTERIOR DESIGNER:

Jan Showers  
1308 Slocum Street  
Dallas, TX 75207  
phone: 214.747.5252  
www.janshowers.com

BUILDER:

180 degrees  
4955 north 7th avenue  
Phoenix, AZ 85013  
phone: 602.288.0138  
www.180degreesinc.com

PHOTOGRAPHER:

Matt Winquist  
Foundry 45, LLC  
4032 N 45th St  
Phoenix, AZ 85018  
phone: 480.330.4864  
www.winquistphotography.com

DEALER:

Steel Windows & Doors USA  
690 Surf Avenue  
Stratford, CT 06615  
phone: 203.579.5157  
www.steelwindowsanddoors.com

**BROMBAL**  
LUXURY METAL WINDOWS AND DOORS

BROMBAL Srl

Via Vallà 24 - Caselle di Altivole (TV) ITALY  
Phone: +39 0423 566189  
www.brombal.it

BROMBAL USA

690 surf ave - Stratford, CT 06615  
Phone: +1 (203) 579 - 5136  
www.brombalusa.com

BROMBAL OCEANIA Ltd

PO Box 47286 - Ponsonby  
Auckland - New Zealand  
Phone: +64 22 1262814  
www.brombaloceania.com

---

FOLLOW US ON:

