




B

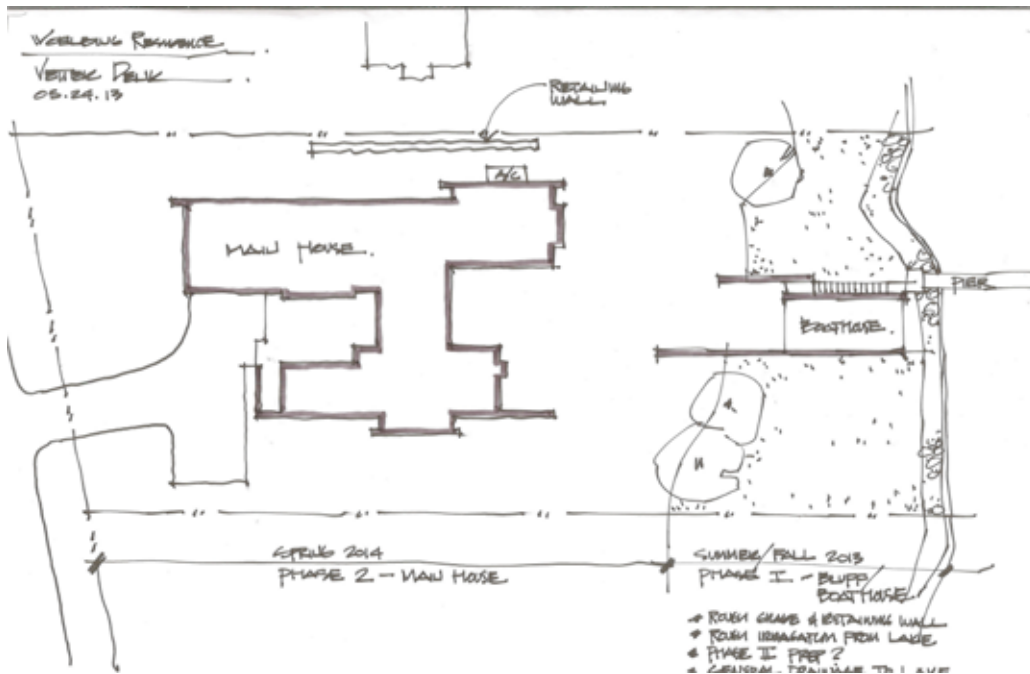
FREEDOM TO CREATE



VESSEL HOUSE

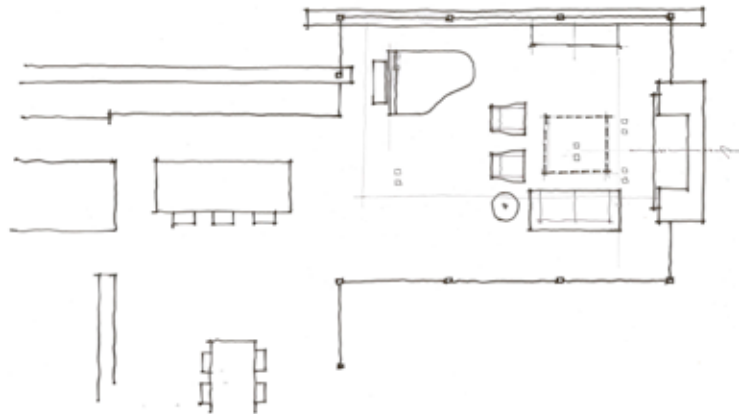
OCT 2016
BROMBAL MAG #04

IDEA PROJECT REALIZATION



"A tea pot, being a vessel, is defined by the space it contains, it is not the tea pot that is important, but the space."

- Crispin Sartwell -



Located on a lake outside of Milwaukee, the Vessel House is the culmination of an intense 5 year collaboration with our client and multiple local craftsmen focused on the creation of a modern analogue to the Usonian Home. As with most residential work, this home is a direct reflection of it's owner, a highly educated art collector with a passion for music, fine furniture, and architecture. His interest in authenticity drove the material selections such as masonry, copper, and white oak, as well as the need for traditional methods of construction.

The initial diagram of the house involved a collection of embedded walls that emerge from the site and create spaces between them, which are covered with a series of floating roofs.

The windows provide natural light on three sides of the house as a band of clearstories, transforming to a floor to ceiling ribbon of glass on the lakeside.

The Vessel House functions as a gallery for the owner's art, motorcycles, Tiffany lamps, and vintage musical instruments – offering spaces to exhibit, store, and listen.

These gallery nodes overlap with the typical house program of kitchen, dining, living, and bedroom, creating dynamic zones of transition and rooms that serve dual purposes allowing guests to relax in a museum setting.

Through it's materiality, connection to nature, and open planning, the Vessel House continues many of the Usonian principles Wright advocated for.

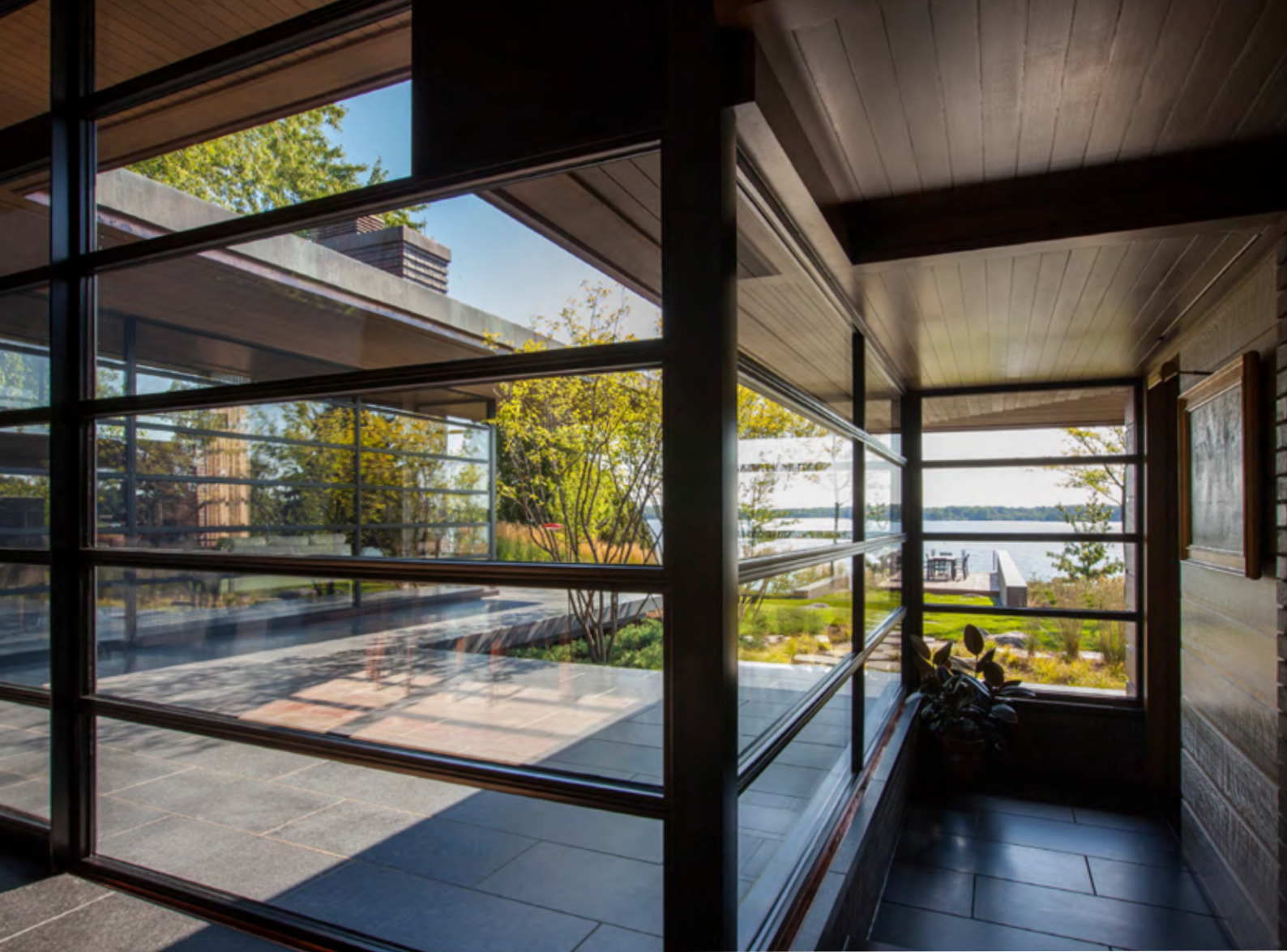




In the lakeside boathouse, the massive steel pivot doors naturally transition the building to its tranquil surroundings. With thermally broken sections, the pivot door is extremely energy efficient, making this a wise and stylish addition to the home. For design flexibility, all Brombal pivot doors utilize a high quality concealed floor closer that makes oversized openings possible. Available in a variety of materials and hardware options, Brombal pivot doors are made specifically for each opening. With years of experience in the art and science of building windows and doors, this custom home was effortlessly outfitted with custom solutions by Brombal.





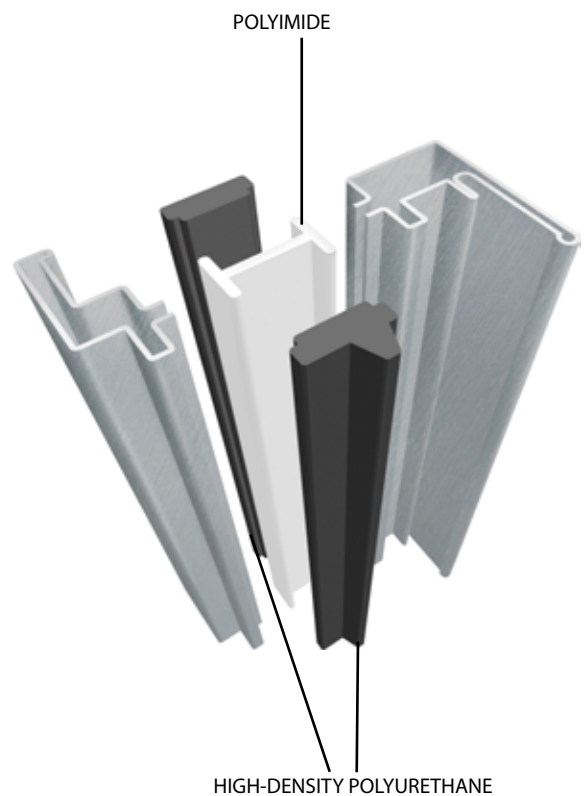


T H E R M A L L Y B R O K E N W I N D O W S A N D D O O R S

This contemporary home with a style that suits its serene surroundings, was created by architect Vetter Denk. Located on Lac La Belle Lake in Oconomowoc, Wisconsin, the home makes a bold statement yet manages to maintain the area's ambiance with the choice of Brombal's windows and doors. The windows and doors are wide and open, creating an unobtrusive look, and the lakeside boathouse features distinctive large pivot doors that connect the inside to the outside with a smooth transition. The owner of this residence is a collector whose custom home is now worthy of being a prized possession.

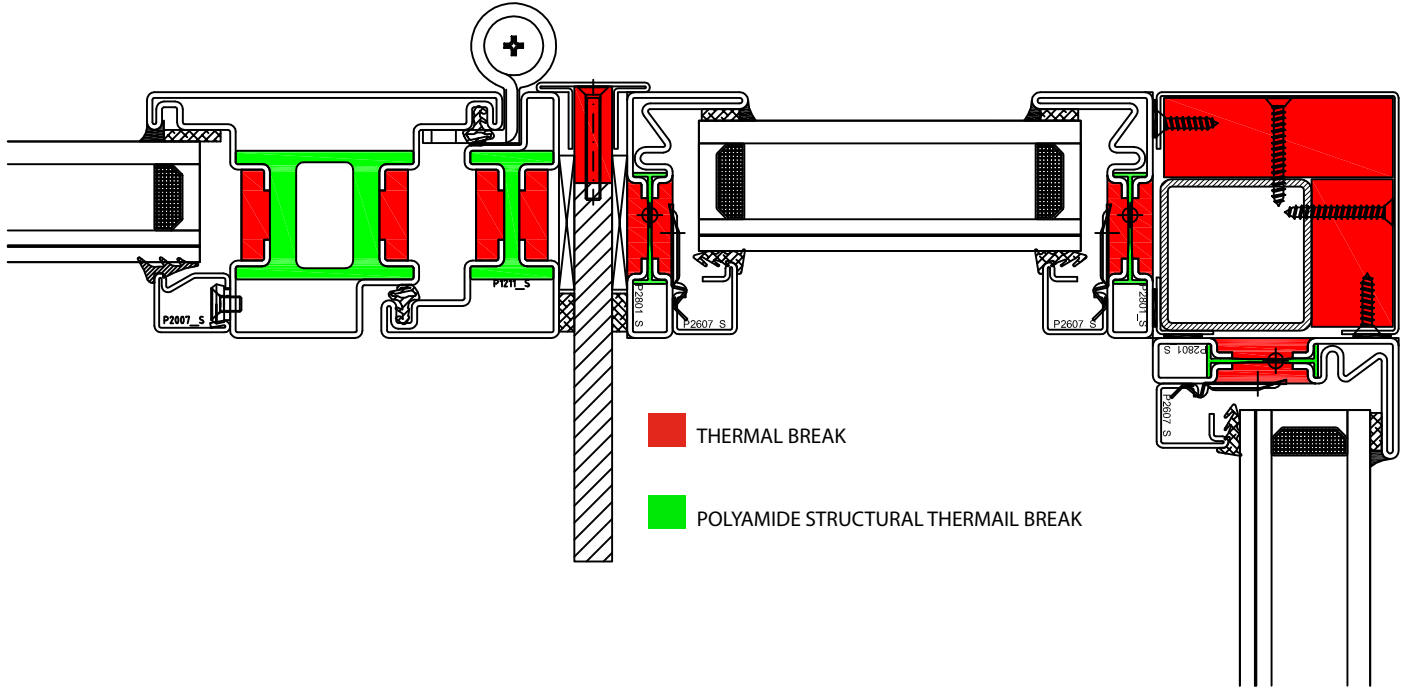
For the area's harsh climate, Brombal's OS2 and EBE65 thermally broken windows and doors were the perfect solution for maintaining beauty and function, as well as the energy efficiency required. This beauty comes from the large and open frames that maintain a narrow sightline, while the function comes with the strength and energy efficiency of Brombal's two-piece thermal-break system. Brombal is the first manufacturer in the world with experience working with thermally broken windows since its inception in the steel fenestration industry. To join the frames, two materials are used: fiber glass reinforced polyimide extrusion and a high-density polyurethane resin injected under high pressure; this process insures a continuous bond while providing structural strength and maintaining thermal insulation. The windows were hung on heavy duty hinges that were finished to match the frames-galvanized steel powder coated, along with concealed multi point hardware to ensure a weather tight seal.

These features and benefits are standard on all Brombal units.

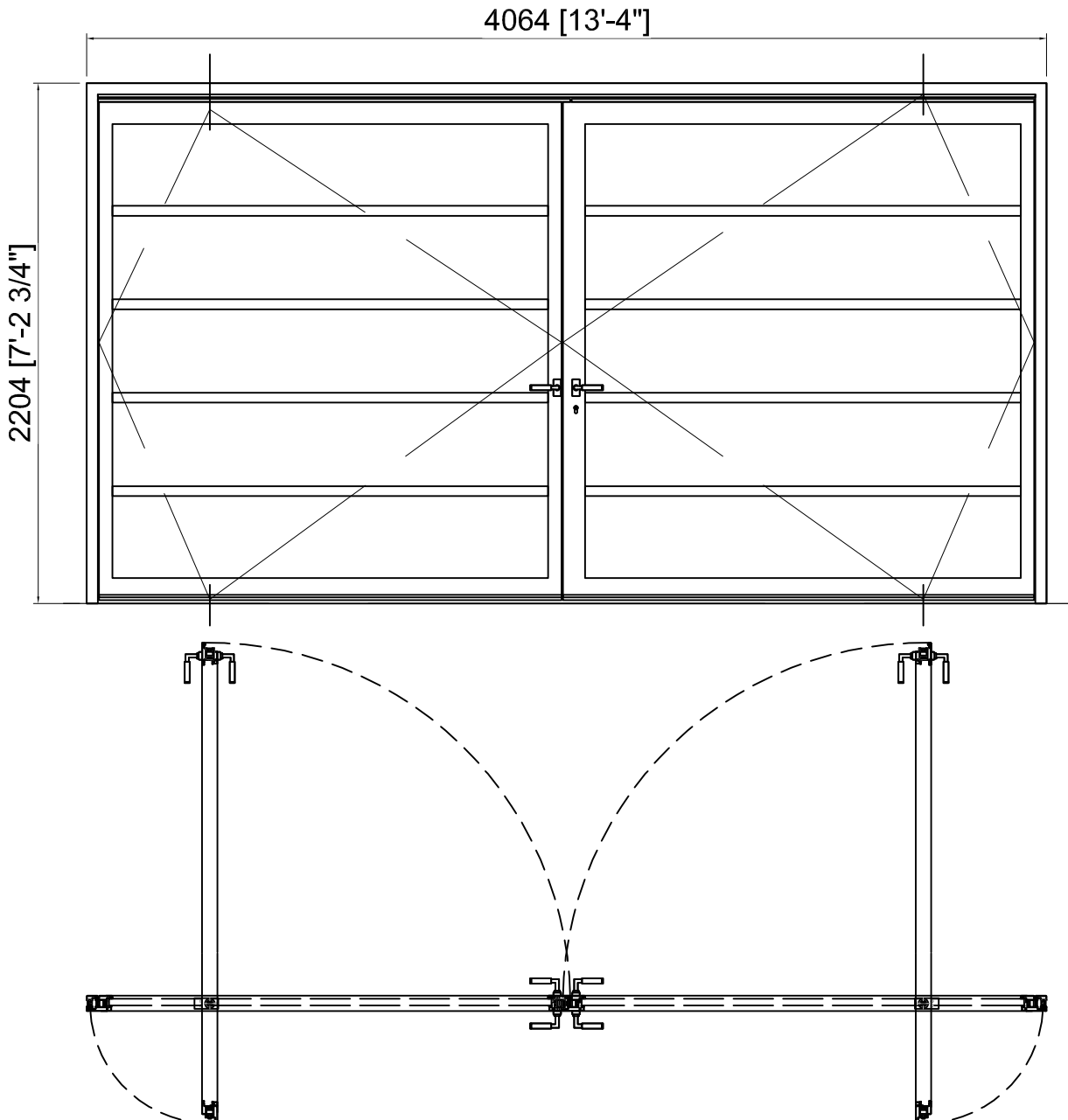


THERMALLY BROKEN STIFFENERS

THERMALLY BROKEN CORNER POST



DOUBLE PIVOT DOOR



TESTIMONIAL

“We forged a great relationship with Brombal that was a by-product of our client’s high expectations for quality and Brombal’s unwavering commitment to their craft. The beauty of the final installation was a result of constant communication and exceeded everyone’s expectations. We look forward to working with Brombal again in the future.”

- John Vetter-



PROJECT TEAM

ARCHITECT:

VETTER DENK ARCHITECTS INC.
161 South First Street / Suite 110
Milwaukee, WI 53204
phone: 414.223.3388
www.vetterdenk.com

PHOTOGRAPHER:

RYAN HAINEY
phone: 414.870.6676
www.ryanhainey.com

DEALER:

Steel Windows & Doors USA
690 SA
Stratford, CT 06615
phone: 203.579.5157
www.steelwindowsanddoors.com

BROMBAL
LUXURY METAL WINDOWS AND DOORS

BROMBAL Srl

Via Vallà 24 - Caselle di Altivole (TV) ITALY
Phone: +39 0423 566189
www.brombal.it

BROMBAL USA

690 surf ave - Stratford, CT 06615
Phone: +1 (203) 579 - 5136
www.brombalusa.com

BROMBAL OCEANIA Ltd

PO Box 47286 - Ponsonby
Auckland - New Zealand
Phone: +64 22 1262814
www.brombaloceania.com

FOLLOW US ON:

