



DISCOVER FREEDOM TO CREATE

POOL HOUSE ITALY

JANUARY 2018
BROMBAL MAG #07



PROJECT AND SCOPE

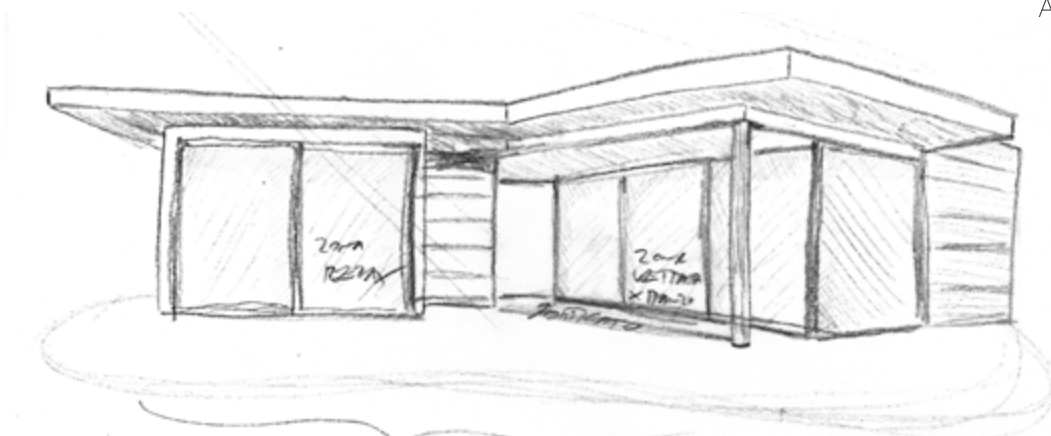
The project is a renovation and expansion of a residential swimming pool space, built in the early 90s. The clients are entrepreneurs who admire beautiful architecture and materials. They highlighted three key points for the remodel:

- Creating an open living space that can accommodate more than 30 guests during evening parties and events;
- Maximizing visual and perceived continuity between protected and uncovered space with a continuum between pool, green space and protected areas;
- Clean lines of architectural composition and compositional materials, in particular using burnished brass, glass, and wood.

The building lines tend to the focal point located in the center of the new pool which is a visual center for those looking at the whole building. To the southwest there are relaxation areas with solarium and sauna. In the center there are dressing rooms, bathroom and kitchen; at the northwest the guest suite. The east elevation includes a large walkway.

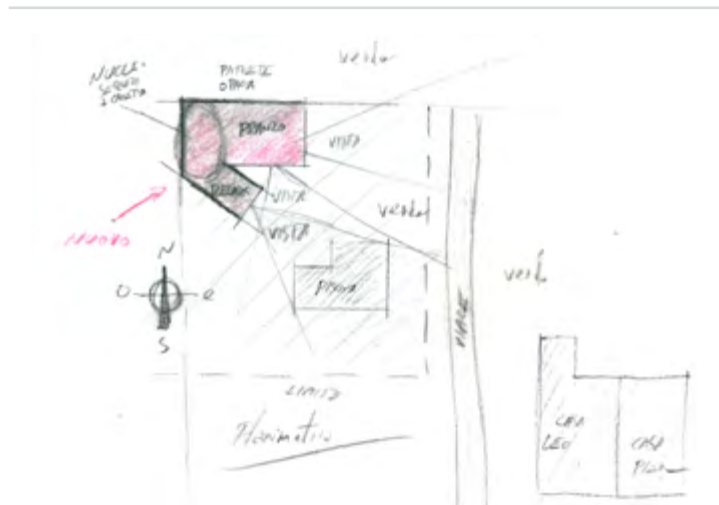
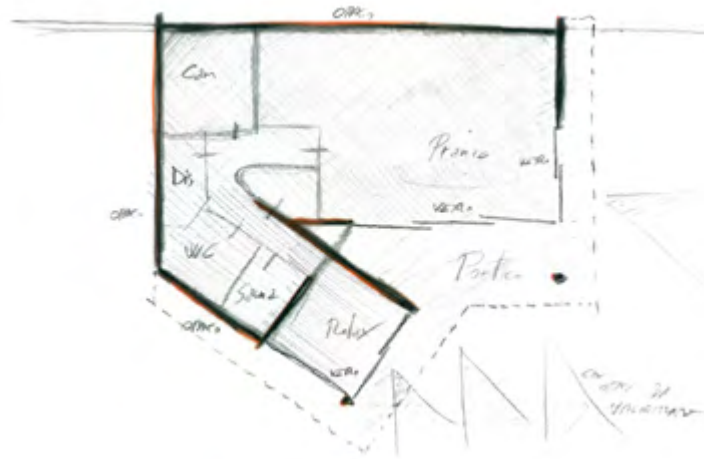
Spatial continuity was achieved by creating the entire south facing glass with a subtle mechanical system that opens all sliding door panels and encloses them into a concealed wall pocket creating the effect of a large covered walkway that welcomes guests in an interior-exterior continuity during the summer time. The clean and contemporary furniture compliments the architecture, especially the remarkably long dining table without intermediate supports. Color, light and surround sound entertainment complete the project, which gives a sense of peace and well-being.

Arch. Paolo Fogal



Utilizing the clients' love for luxurious and maintenance free materials, dark burnished brass panels were selected as the building facade which compliment the window and door frames allowing for a seamless integration. The outdoor to indoor living spaces were carefully planned to provide maximum usage and flexibility of the entertainment spaces. Beautiful lighting was placed throughout the area to highlight the pool, landscape beds, and walkways. Because of the large glazed openings and easy transitions between spaces this structure is perfect for welcoming guests to an experience they will always remember.

Arch. Castlunger Karl Heinz



DISCOVER
FREEDOM
TO CREATE



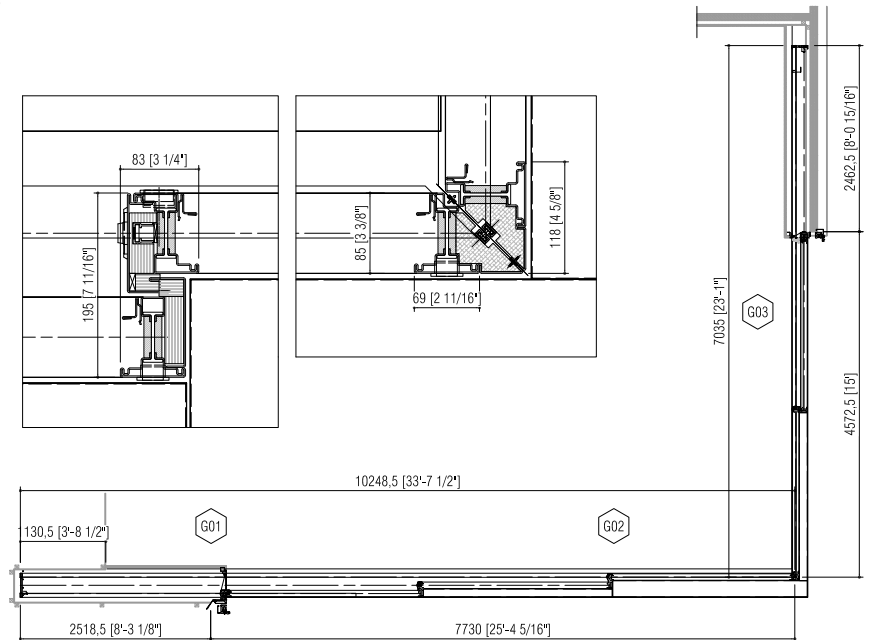




DISCOVER
FREEDOM
TO CREATE



OPEN CORNER POCKET LIFT&SLIDE



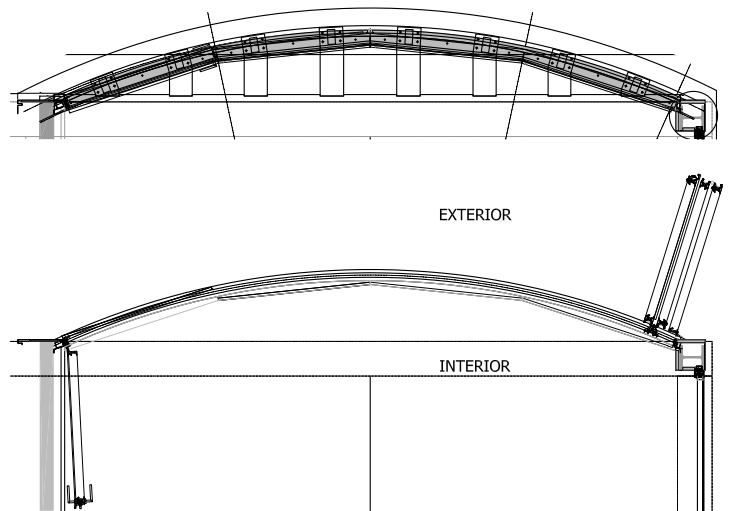
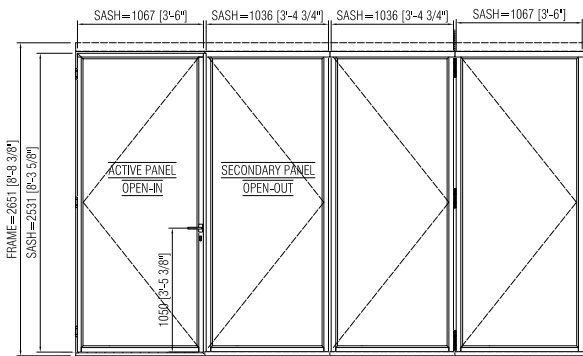
Open corner lift/slides are appealing because of their unique versatility. Interior and exterior spaces can merge beautifully together without interruption creating a grand entertainment space or the spaces can be more intimately defined by reducing the number of open panels. Sizes and the number of panels can be designed to fit whatever design requirements are needed.

Where the panels meet in the corner a tight seal is provided by dual gaskets and a multipoint locking system. The frames are thermally-broken to ensure comfort and eliminate frost or condensation. Wall pockets can be added so the panels entirely disappear from view.





SEGMENTED RADIUS BI-FOLD



Bi-fold doors allow for traditional entry/exit with a twist. As needed the additional door leaves can be slid open using head mounted roller assemblies which then exposes the entire interior room to the outdoors. The door leaves stack tight to the perpendicular walls allowing for maximum transition to the exterior space.

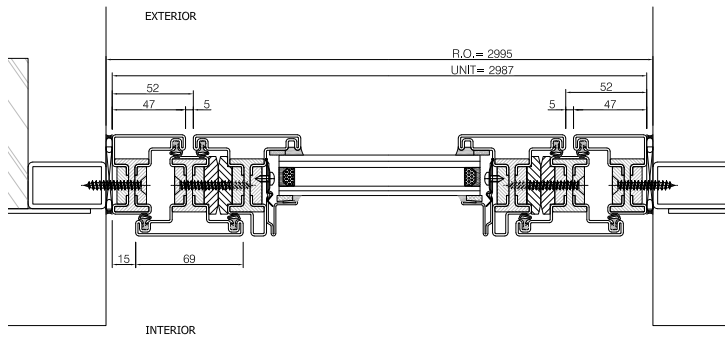
This particular design incorporates a radius track and segmented panels. True curved panels are possible as well. Multiple panel configurations and sizes are available. Each door seals tight by use of flush bolts, heavy duty EPDM gaskets, and multi-point hardware.



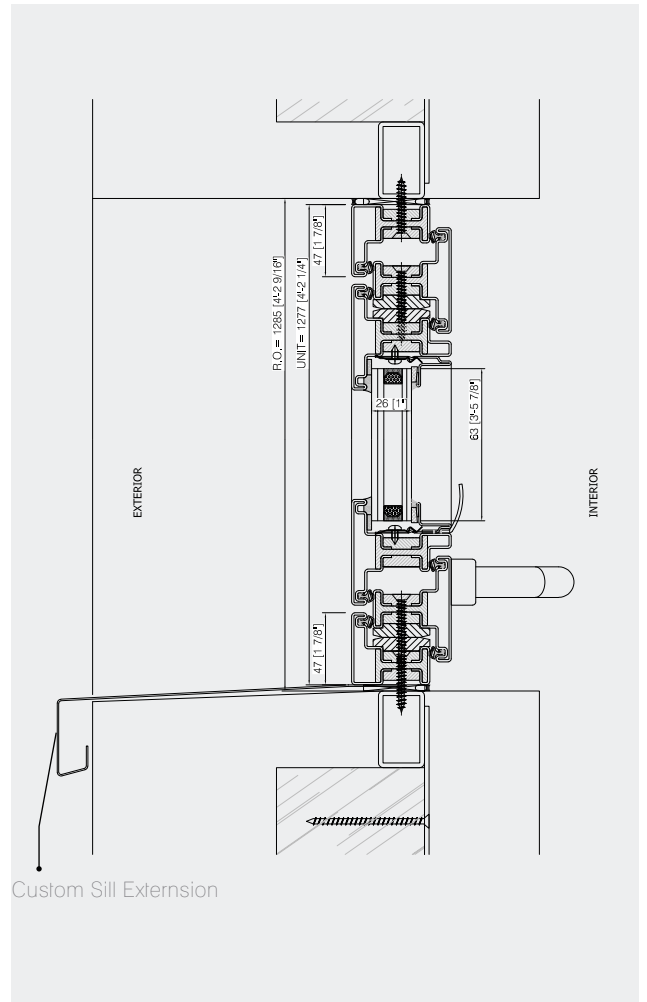


HORIZONTAL PIVOT WINDOW

Horizontal pivot windows are perfect for those large rectangular spaces where views need to be appreciated and ventilation is required. These jumbo sized units pick up where traditional sized hoppers and awnings are left behind. The center pivots are very strong. They open the sash so air flow can circulate from top to bottom. The sash and frame secure together by use of a multi-point system. Included in this application is a solid bronze sill extension which compliments the bronze window frame and building accents. It also diverts water away from the window. Custom accessories like this are available for all of the Brombal product line.



Horizontal Section



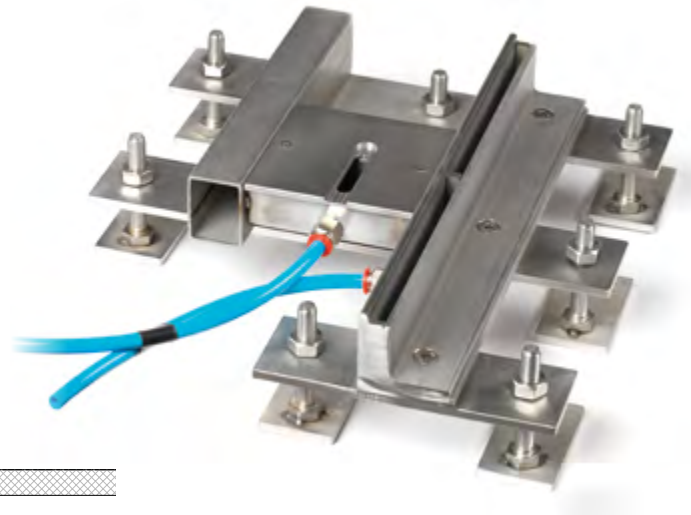
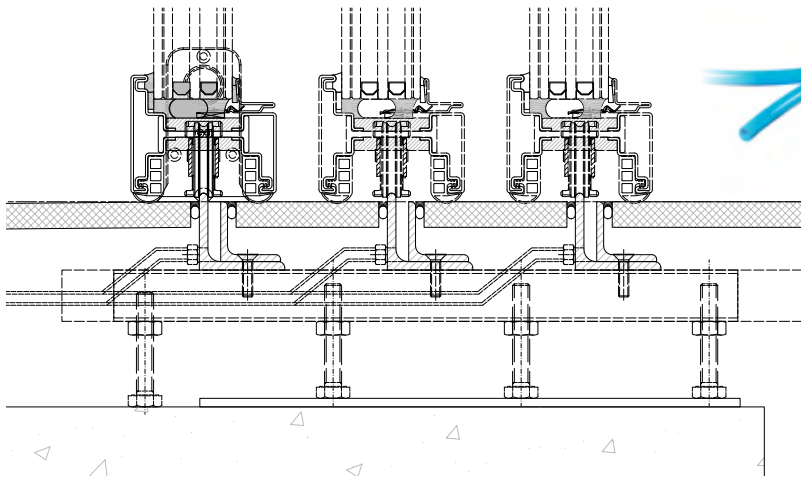
Vertical Section



DISCOVER
FREEDOM
TO CREATE



LIFT & SLIDE FLUSH TRACK



Flush tracks enable the interior finish floor to extend past traditional boundaries. One time borders defined by heavy tracks or sills are replaced by a clean, smooth, and modern transition of space. The creative engineering behind the track assembly allows for precise leveling and a high performance drainage system. The system is made from 316 marine grade stainless steel so it can withstand abuses from challenging environments. The real beauty comes from not having to see what's actually there. Brombal invites you to discover freedom to create.





Arch. Paolo Fogal

"All the steel Cor-ten coatings and the perimeter fixtures with bronze profiles were made by the firm BROMBAL of Alivole (Treviso-Italy). This is a highly specialized company in quality, capable of solving problems with custom solutions, out of industry standards. The collaboration was complete, from the preliminary study to the details, with good suggestions from the company's technicians, providing a beautiful finish to the building."

Arch. Castlunger Karl Heinz

"This experience was very meaningful, in that it was a great opportunity to work with an exceptional, Italian made product. Throughout the project I was able to study and create each window and door step by step, adapting each component of the framework. The result is a unique project thanks to the high quality material combined with the Brombal family's years of knowledge and expertise."





PROJECT TEAM

ARCHITECTURE:
Castlunger Karl Heinz
Paolo Fogal

INTERIOR DESIGNER:
Anje

BUILDER:
Zamperin Davide

PHOTOGRAPHER:
Paolo Belvedere

BROMBAL
LUXURY METAL WINDOWS AND DOORS

BROMBAL Srl
Via Vallà 24
Caselle di Allivole (TV) ITALY
Phone: +39 0423 566189
www.brombal.it

BROMBAL USA
690 Surf Ave
Stratford, CT 06615
Phone: +1 (855) 287 2258
www.brombalusa.com

BROMBAL OCEANIA Ltd
PO Box 47286 - Ponsonby
Auckland - New Zealand
Phone: +64 22 1262814
www.brombaloceania.com

FOLLOW US ON:

